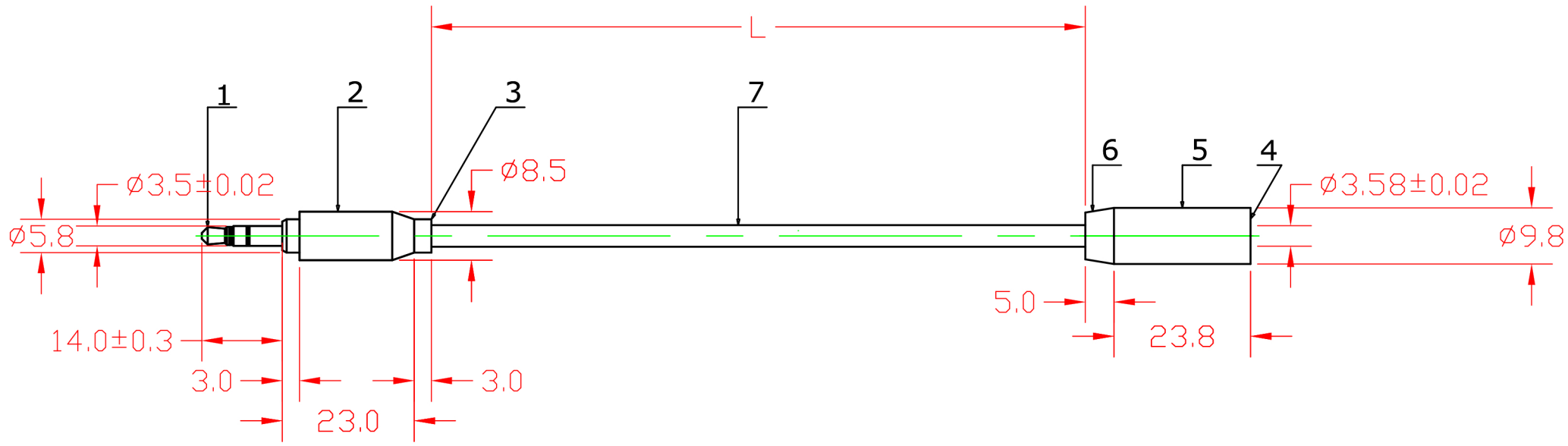


NOTE: ALL MATERIAL COMPLIANT ROHS STANDARD.

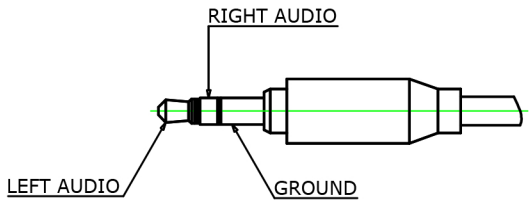
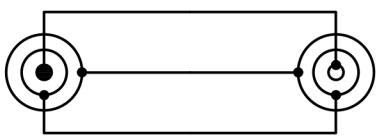
**RoHS
Compliant**

| REVISION INFORMATION | | | |
|----------------------|-----------|-------------|-------------------|
| Rev. | Rev. Date | Modified By | Brief Description |
| | | | |



CONNECTION

3.5 Stereo Male 3.5 Stereo Female



| LINK NO. | PART NO. | LENGTH(L) |
|----------|----------|--------------|
| 201462 | | 6 Ft 1830±30 |

ELECTRICAL TESTING
1. CONDUCTOR RESISTANCE: ≤5Ω 300V DC

| | | | | |
|-----|-------------------|--|------|------|
| ⑧ | Cable | (10/0.10)x2C+28x0.10 shielding, OD.: 3.8, Black PVC Jacket | 1 | PC |
| ⑦ | Molding | PVC, Black | 1 | PC |
| ⑥ | Molding | PVC, Black | 1 | PC |
| ⑤ | Shell | Metal, Silver | 1 | PC |
| ④ | 3.5 Stereo Female | 3.5 Stereo Female BRASS /GOLD-PLATED | 1 | PC |
| ③ | Molding | PVC, Black | 1 | PC |
| ② | Shell | Metal, Silver | 1 | PC |
| ① | 3.5 Stereo Male | 3.5 Stereo Male BRASS /GOLD-PLATED | 1 | PC |
| NO. | PART NAME | SPECIFICATION DESCRIPTION | Q'TY | UNIT |

Show Me
CABLES
an INFINIT® brand

| | | |
|-------------|---------------------|---|
| DRAWN BY | DATE: 2017/02/27 | Title: Premium 3.5mm Stereo Cable- Male/Female- 6 |
| CHECKED BY | SHEET 1 of 1 | Part No: 23-168-106 |
| APPROVED BY | SCALE 1:1 | REV. 00 UNIT: mm |